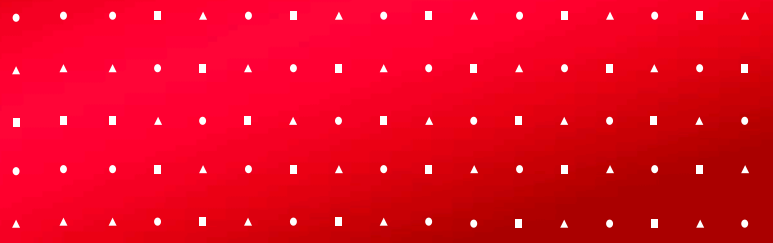


WILUX System PaSet PAS13xx Pallet labeller



Swissness - Development and production in Switzerland



WILUX PRINT AG
Unterfeldstrasse 5
CH-8340 Hinwil

Tel.: +41 (0)55 253 24 24
Fax: +41 (0)55 253 24 25

mail@wilux.ch
www.wilux.ch
www.labellingshop.com

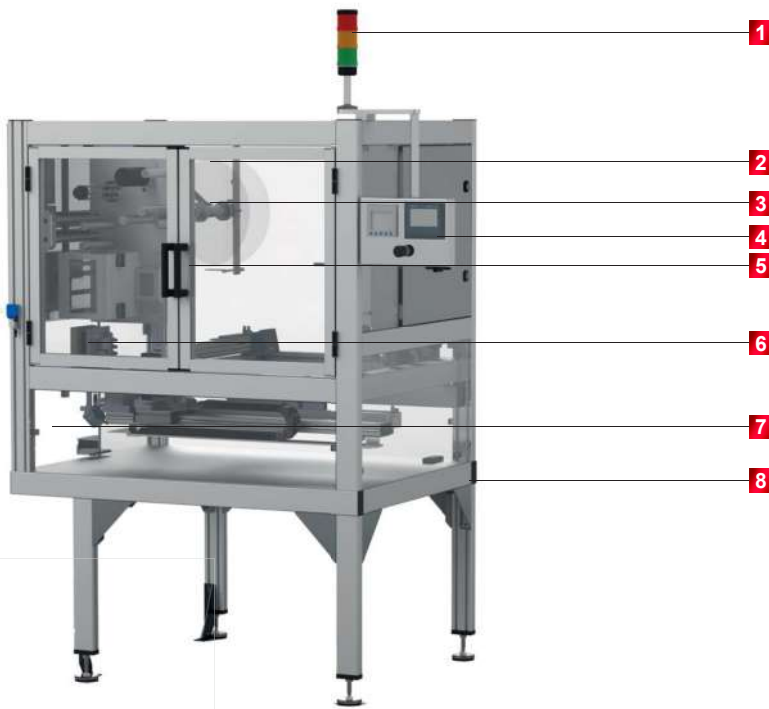


wilux print
Ihr Partner für Etikettier- und Kennzeichnungslösungen

Pallet labeller, equipped with inline thermal transfer printer

The WILUX System PalSet PAS13xx, equipped with an **inline thermal transfer printer**, for the automatic labelling of logistics and transport units such as pallets, shipping cartons, reusable transport containers, etc.

Automatic pallet labelling with barcodes according to SSCC-GS1 standard



WILUX System PalSet PAS13xx Labelling capacity up to 200 pallets/hour	
1	Indication lights green/red (ready/fault)
2	Large decoiler Ø-380mm
3	Label roll-Ø: max. 360mm
4	Electro pneumatic control, incl. emergency stop
5	Access door with door monitoring (safety door switch)
6	Suction stamp adapted to the label format
7	Pneumatic sliding door Closing between the individual pallets (optional)
8	Fully covered base frame

Optional: Scanner-RAP (Read After Print)

- Readability check of a printed barcode (Read After Print)
- With connection module and mounting bracket
- Trigger signal and read evaluation controlled via SPS



WILUX PRINT AG
Unterfeldstrasse 5
CH-8340 Hinwil

Tel.: +41 (0)55 253 24 24
Fax: +41 (0)55 253 24 25

mail@wilux.ch
www.wilux.ch
www.labellingshop.com



DATAMAX A-Class Mark II

Inline thermal transfer printer



further technical details
see data sheet DATAMAX A-Class Mark II

Standard functions

Applicator interface port (15 pin) with programmable inputs and outputs
Graphic LCD control display with backlight
DPL, ZPL, PLI command language
Paper feed control after printing
Ribbon end pre-alarm
Start diagnosis
Diagnostic display and modes
Material counter
Integrated real-time clock
Ribbon types: coated side inside or outside
Maximum ribbon length: 650m

Barcodes / fonts / graphics

Barcodes

- Linear: Code 3 of 9, UPC-A, UPC-E, Interleaved 2 of 5, Code 128, HIBC, EAN-8, EAN-13, Codabar, Plessey, UPC 2- und 2- and 5-digit additions, Post-net, Code 93, UCC/EAN-Code 128, Telepen
- 2D symbols: MaxiCode, PDF417, USD-8, Datamatrix, QR-Code, Aztec, TLC 39, Micro PDF417

Printer-specific fonts

- Ten alphanumeric fonts from 2mm to 6mm, including OCR-A, OCR-B and the AGFA® CG Triumvirate™
- Scalable fonts: CG Triumvirate, CG Triumvirate Bold Condensed and CG Times with support for Cyrillic, Greek, Arabic and Hebrew characters

Downloadable font types

- True-Type, Bitmap

Character set

- Over 50 printer-specific character sets; Unicode/UTF8 support

Graphic support

- PCX, BMP und IMG files

Extension / rotation of fonts

- All fonts vertically and horizontally expandable up to 24 times
- Print fonts and graphics in four directions: 0°, 90°, 180° and 270°

Reversible field / mirror image

- Fonts and graphic fields can be printed as normal or inverted image

ILPC (International Language Print Capability)

- Kanji Gothic B, scalable
- Korean (Hangul)
- Chinese, simplified (GB)

Options

Device for optimizing ribbon consumption (pre-installed at the factory)

Internal wireless LAN (DMXrfNET II)

Remote front display with 1.8m cable

RFID (encrypted EPC Class 1/Gen 2 tags)

USB host / SDIO

Models	A-4xxx	A-6xxx
Printer type	Thermal direct and thermal transfer	
Versions	Right or left-hand versions available	
Print speed	50 - 304mm/sec	50 - 254mm/sec
	Depending on the type of printer and the quality of the label material and ribbon used	
Resolution	203 - 600 dpi	203 - 300 dpi
	Depending on the printer type used	
Print width	104.0 - 105.7mm	162.6 - 167.0mm
	Depending on the printer type used	
Print length	6 - 2500mm	
Label carrier width	25 - 118mm	50 - 170mm
Communication ports	Serial + parallel port, USB, Ethernet TCP/IP	

WILUX PRINT AG
Unterfeldstrasse 5
CH-8340 Hinwil

Tel.: +41 (0)55 253 24 24
Fax: +41 (0)55 253 24 25

mail@wilux.ch
www.wilux.ch
www.labellingshop.com



wilux print
swissness
Ihr Partner für Etikettier- und Kennzeichnungslösungen

Labels and thermal transfer ribbons

Labels

WILUX is an expert in the production of multicoloured and unprinted labels in a wide range of shapes, sizes and materials, as well as in the realisation of high-quality special applications.

Trust our more than 40 years of expertise in the field of label production. We are able to offer you the right label for every product requirement.



Thermal transfer ribbons

WILUX thermal transfer ribbons are available in various qualities and colors and can be cut to length and width as desired.

To avoid electrostatic charging during the printing process and the associated damage to the print head, WILUX uses only high-quality thermal transfer ribbons.



Do you have further questions?

CONTACT US!

We will gladly advise you.

WILUX PRINT AG
Unterfeldstrasse 5
CH-8340 Hinwil

Tel.: +41 (0)55 253 24 24
Fax: +41 (0)55 253 24 25

mail@wilux.ch
www.wilux.ch
www.labellingshop.com

